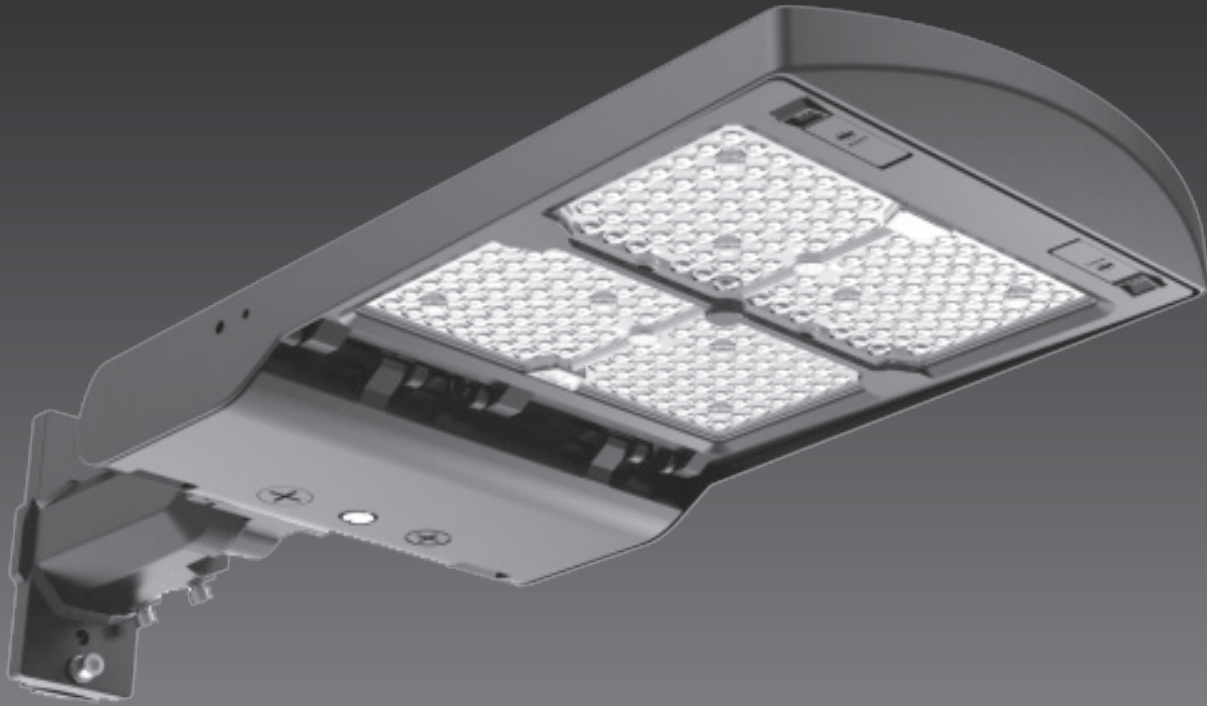


INTRINSIX

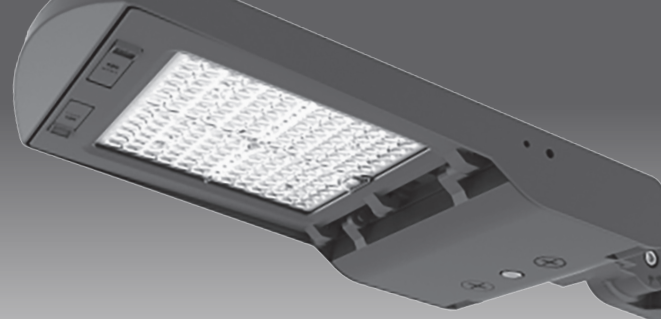


SIRIUS GEN 2

PRODUCT PROFILE

SIRIUS^{GEN 2}

LED SHOEBOX LIGHT



Description

The IntrinsicX Sirius Gen 2 combines the duo of architectural form and versatility to make it an excellent choice for new construction or for retro-fit applications. It is offered in a variety of wattages (80/150/300) allowing for maximum flexibility in all types of applications.

The high output LEDs and custom engineered optics provide excellent uniformity and efficiency.

It is designed to replace the existing HID fixtures up to 1000W.

Specifications

- CCT: 3,000/4,000/5,000 Selectable
- Dimming: 0-10V
- Voltage: 100 to 277V, 50 to 60Hz
- Operating Temp: -40°F to 131°F
- IP Rating: IP65
- Power Factor: >0.90
- Sensor: Occupancy Sensor (Optional)
Exterior Photocell (Optional)
Integral Sensor Receptacle
- DLC Listing: Premium
- Warranty: 50,000 Hours/5 Years
- Distribution patterns: T2, T3, T4, T5

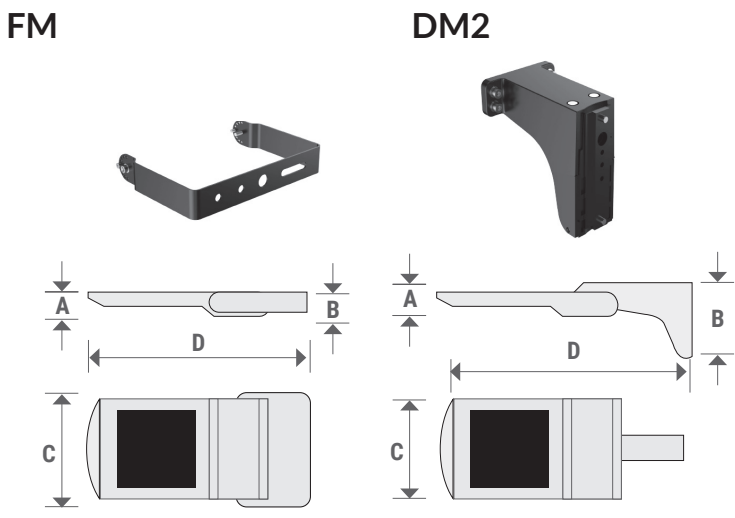
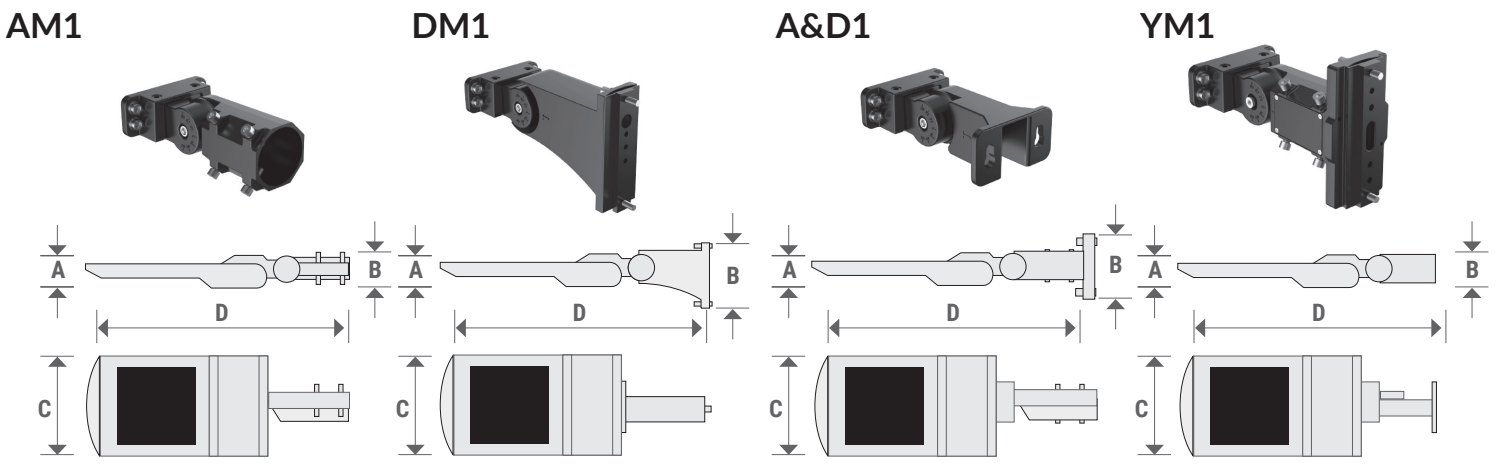
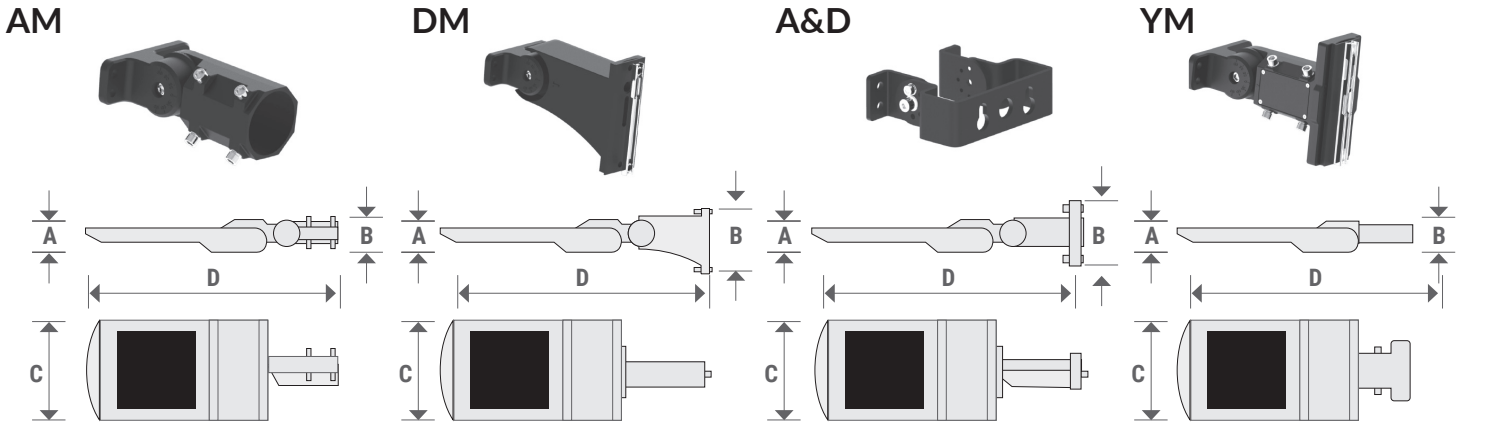


Fixture Details

Product Number	Watts (W)	Voltage (V)	CCT (K)	CRI	Efficacy (Lm/W)	Lumen Output (Lm)	Operating Temperature	IP Rating	DLC Product ID
IX-ALZ-80S-30/40/50L0	80	120-277	3000/4000/5000	>80	130/150/145	10880/12000/11600	-40° F to 131° F	IP65	S-YXGL44
IX-ALZ-150S-30/40/50L0	150	120-277	3000/4000/5000	>80	130/150/145	20250/22500/21150	-40° F to 131° F	IP65	S-0PP02
IX-ALZ-150S-30/40/50H0	150	277-480	3000/4000/5000	>80	135/150/145	20250/22500/21150	-40° F to 131° F	IP65	S-ZHV9WN
IX-ALZ-300S-30/40/50L0	300	120-277	3000/4000/5000	>80	135/150/140	40500/45000/42000	-40° F to 131° F	IP65	S-HMQ9K8
IX-ALZ-300S-30/40/50H0	300	277-480	3000/4000/5000	>80	135/150/140	40500/45000/42000	-40° F to 131° F	IP65	S-S9ZL0V



Product Details



80W

	AM	DM	A&D	YM	AM1	DM1	A&D1	YM1	FM	DM2
A	3.1"	3.1"	3.1"	3.1"	3.1"	3.1"	3.1"	3.1"	3.1"	3.1"
B	3.6"	6.3"	6.3"	3.1"	3.3"	6.3"	6.3"	3.1"	3.1"	6.8"
C	9.6"	9.8"	9.6"	9.6"	9.6"	9.6"	9.6"	9.6"	10.8"	9.6"
D	24.1"	25.6"	25.3"	22.2"	25.1"	26.6"	26.2"	24.7"	20.6"	24.5"

150W

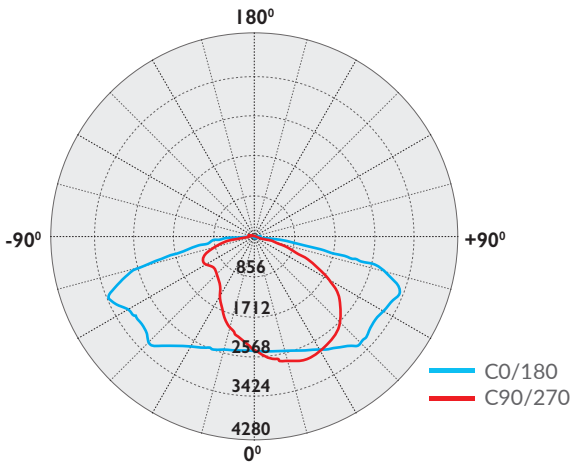
	AM	DM	A&D	YM	AM1	DM1	A&D1	YM1	FM	DM2
A	3.1"	3.1"	3.1"	3.1"	3.1"	3.1"	3.1"	3.1"	3.1"	3.1"
B	3.6"	6.3"	6.3"	3.1"	3.3"	6.3"	6.3"	3.1"	3.1"	6.8"
C	10.6"	10.6"	10.6"	10.6"	10.6"	10.6"	10.6"	10.6"	11.8"	10.6"
D	26.3"	27.9"	27.6"	24.4"	27.3"	28.9"	28.5"	26.9"	22.9"	26.7"

300W

	AM	DM	A&D	YM	AM1	DM1	A&D1	YM1	FM	DM2
A	3.1"	3.1"	3.1"	3.1"	3.1"	3.1"	3.1"	3.1"	3.1"	3.1"
B	3.6"	6.3"	6.3"	3.1"	3.3"	6.3"	6.3"	3.1"	3.1"	6.8"
C	12.7"	12.7"	12.7"	12.7"	12.7"	12.7"	12.7"	12.7"	13.9"	12.7"
D	28.4"	29.9"	29.6"	26.5"	30.9"	30.5"	29.0"	24.7"	24.9"	28.8"

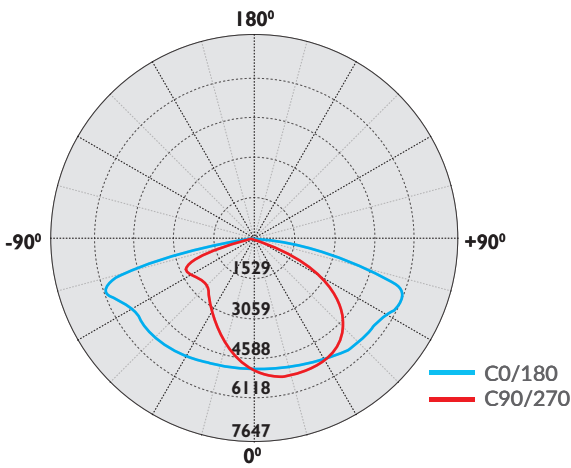
Distribution Diagram

IX-SG20DA-80-50LO



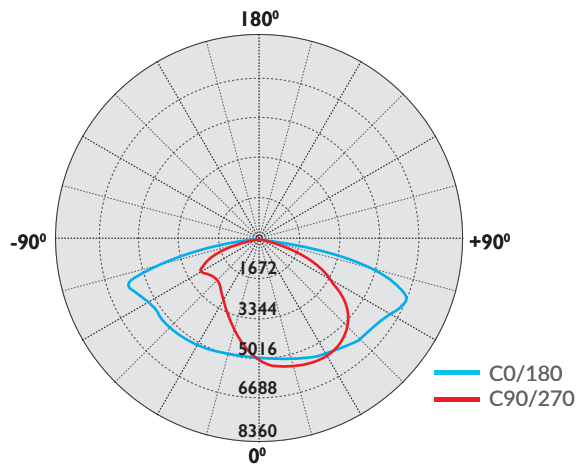
Average Beam Angle (50%): 123.6°

IX-SG20DA-150-50LO



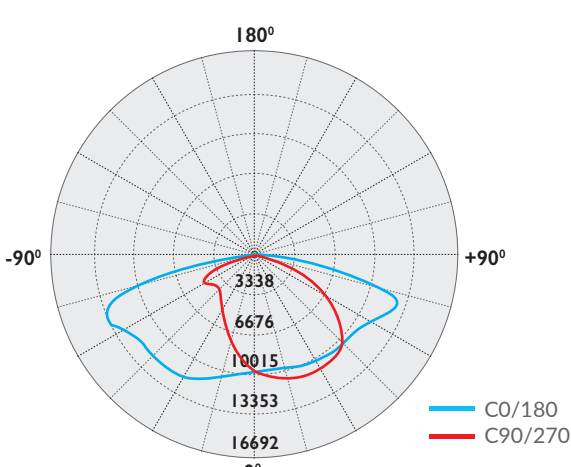
Average Beam Angle (50%): 142.1°

IX-SG20DH-150-50LO



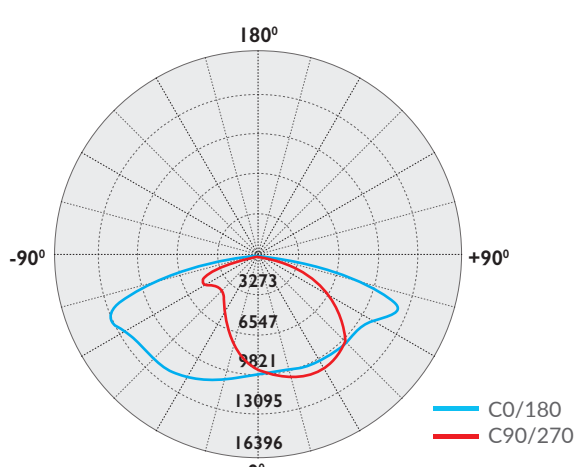
Average Beam Angle (50%): 142.1°

IX-SG20DA-300-50LO



Average Beam Angle (50%): 125.8°

IX-SG20DH-300-50LO



Average Beam Angle (50%): 125.7°