



# WALL PACK

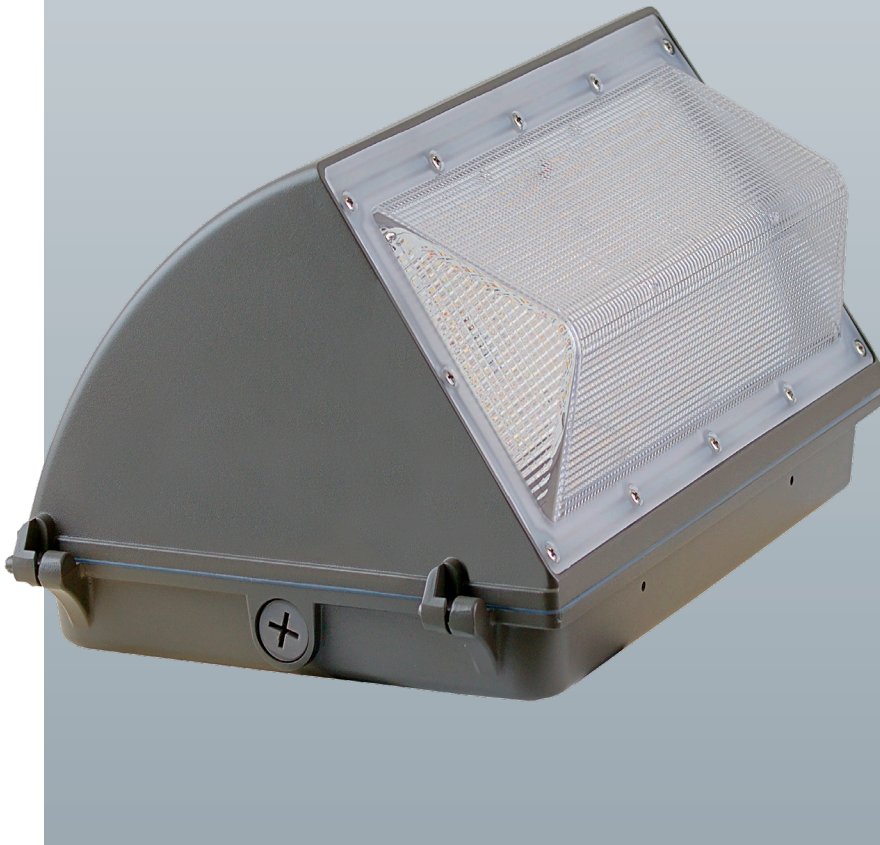
S E M I C U T

---



# WALL PACK

ECLIPSE LED SEMI CUT OFF



## Advantages

The DURALEC LEPUS LED Wall Pack Semi cutoff is one of the most energy efficient lighting options in the market for wall-mounted security and building facades. It offers reduced energy consumption and eliminates the need for frequent bulb and ballast replacements that are commonly found with conventional Wall Packs that contain Metal Halide and High Pressure Sodium bulbs. It is designed to replace traditional Wall Packs up to 400W HID.

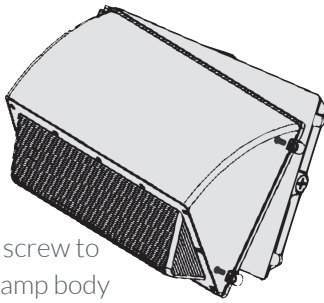
## Specifications

- Moisture and dust resistant.
- Smooth and uniform light output void of flicker or humming noise.
- Sleek and modern aesthetics combined with a rugged construction.
- Resistant to vibration and water.
- Inputs voltage range : 100 -277 V, 50-60Hz.
- Made from prime grade aluminum alloy.
- LUMILED/CREE 3030, 1W LED Chips
- Operating Temperature: -20F to +140F
- IP65 Rated
- 0.9 Power Factor
- High Pressure Die Cast Aluminum Heat Sink.



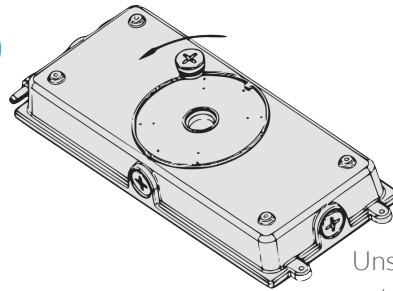
## Mounting options

1



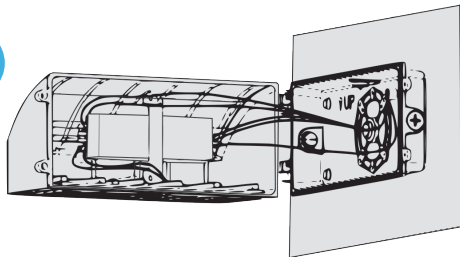
Unscrew the screw to  
Remove the lamp body

2



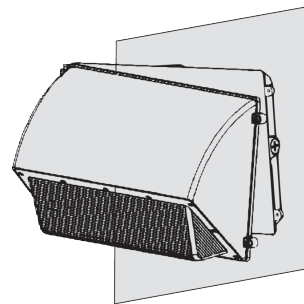
Unscrew the cover of the  
entry hole and remove it

3



Connect input and dimming wires  
with wires from junction box

4



Use the screws to  
lock the fixture

Model Number	Power (Watt)	CCT (K)	CRI	Efficacy (lm/W)	Diffuser Type
DL-FCWP-0048-50L02DM1	48 W	5000 K	70+	>115 lm/W	TYPE - 3
DL-FCWP-0060-50L02DM1	60 W	5000 K	70+	>115 lm/W	TYPE - 3
DL-FCWP-0080-50L02DM1	80 W	5000 K	70+	>115 lm/W	TYPE - 3
DL-FCWP-0100-50L02DM1	100 W	5000 K	70+	>115 lm/W	TYPE - 3

## Model Designation

Code "sCWP" denotes  
Product Series Name,  
which is FCWP = Semi  
cut-off Wall Pack.

Suffix "CC" can be two arbitrary  
numbers, which denotes LED  
Color temperature, for example  
50 = 5000K

XW235mmX  
H180mm or O2= L320mmXW130mmX  
H175mm

**DL-SCWP-0060-50L01DM4**

Suffix "Z" can be 1, 2, 3 or 4, which denotes  
Light Distribution, where  
1 = T3, 2 = T4FT, 3 = 5WQ or 4 = Others

Suffix "yyyy" denotes the wattage of  
luminaries, can be from 0048 to 0070;  
each 1W gradually increase, max.  
70W, from 0070 to 0130, each 5W  
gradually increase, max. 130W, for  
example 0048=48W.

Suffix "D"  
denotes range of input voltage; can be  
L or H, where  
L = Low Voltage Range,  
H = High Voltage range  
or same as LED Driver Input.

Suffix "XX" denotes luminaries shell  
shape or Overall dimension, can be O1  
or O2; which denotes luminaries shell  
shape and overall dimension, where  
O1 = L361mm