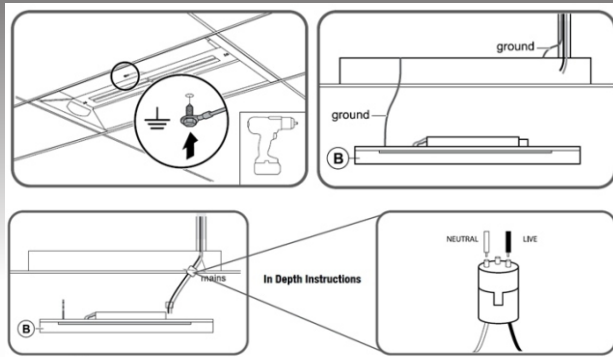


**Step 8** Wiring the input cord and grounding cord according to the wiring schematic Below

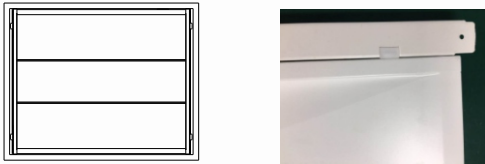


◀ Screw grounding cable from LED Troffer Retrofit (B) to Existing Housing.

◀ Connect main cables with connectors (self provide), Neutral (white), Live (Black). Hide connected wires behind LED Troffer Retrofit (B)

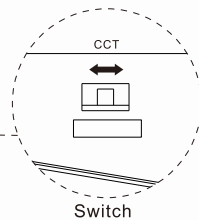
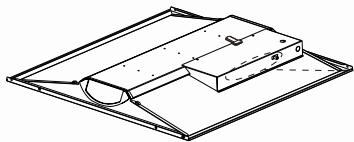
**Step 9**, Close the Fixture, and secure both latches on each side.

**Step 10**, Cover 4 square holes on the Lamp brackets with ③ glue plug



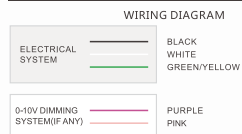
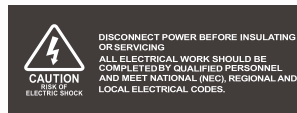
### DIP Switch Operating Instruction

Adjusting the switch, and making the switch fix on the needed CCT. Adjustable CCT.  
Note: Only available for CCT changeable products.



### WIRING DIAGRAM

1. Wire input end of the LED driver to supply wires using connector according to wiring section. Wire connections must be insulated.
2. Connect the BLACK lead to LINE(+) supply lead
3. Connect the WHITE lead to NEUTRAL/Common(-) supply lead
4. Connect the GREEN lead to GROUND supply lead
5. If any, connect PURPLE to 0-10V SIGNAL supply lead and PINK to 0-10V NEUTRAL/REFERENCE supply lead.



# INTRINSIX

## Installation Instruction LED Troffer Retrofit Light

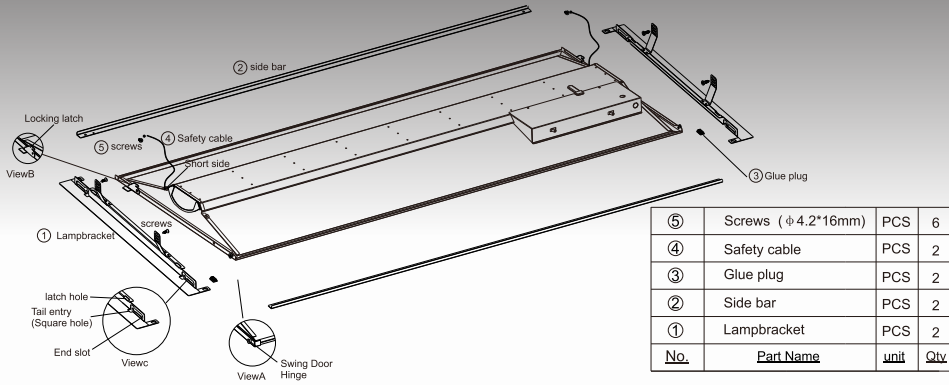
### IMPORTANT

- ◉ READ CAREFULLY BEFORE INSTALLING THIS PRODUCT. RETAIN THESE INSTRUCTIONS FOR FUTURE REFERENCE.
- ◉ THOROUGHLY INSPECT THE FIXTURE FOR ANY FREIGHT DAMAGE; FREIGHT DAMAGE SHOULD BE REPORTED TO THE DELIVERY CARRIER.
- ◉ This product must be wired in accordance with the National Electrical Code and all applicable local codes. Proper grounding is required for safety.
- ◉ This product MUST be installed in accordance with the applicable installation code by a person familiar with the construction and operation of the product.

### WARNING

- ◉ RISK OF FIRE OR ELECTRIC SHOCK. Make sure power supply is OFF before installing or maintaining the product.
- ◉ RISK OF FIRE OR ELECTRIC SHOCK. To prevent wiring damage or abrasion, do not expose wiring to edges of sheet metal or other sharp objects.
- ◉ RISK OF FIRE OR ELECTRIC SHOCK. LED product installation requires knowledge of luminaire electrical systems. If not qualified, do not attempt installation. Contact a qualified electrician.
- ◉ RISK OF FIRE OR ELECTRIC SHOCK. Never perform maintenance or cleaning while fixture is energized. Disconnect power and allow fixture to cool before maintaining.
- ◉ RISK OF INJURY. Wear safety glasses and gloves during installation and servicing.
- ◉ SUITABLE FOR USE IN ENCLOSED TYPE IC or NON IC RECESSED LUMINAIRES-
- ◉ THIS DEVICE IS NOT INTENDED FOR USE WITH EMERGENCY EXITS.
- ◉ WARNING-RISK OF FIRE OR ELECTRIC SHOCK. LUMINAIRES WIRING, POWER SUPPLY, OR OTHER ELECTRICAL PARTS MAY BE DAMAGED WHEN DRILLING FOR INSTALLATION OF RETROFIT ASSEMBLY HARDWARE. INSPECT WIRING AND COMPONENTS FOR DAMAGE.
- ◉ WARNING-RISK OF FIRE OR ELECTRIC SHOCK. INSTALL THIS KIT ONLY IN THE LUMINAIRES THAT HAS THE CONSTRUCTION FEATURES AND DIMENSIONS SHOWN IN THE PHOTOGRAPHS AND/OR DRAWINGS AND WHERE THE INPUT RATING OF THE RETROFIT KIT DOES NOT EXCEED THE INPUT RATING OF THE LUMINAIRE
- ◉ THIS RETROFIT KIT IS ACCEPTED AS A COMPONENT OF A LUMINAIRE WHERE THE SUITABILITY OF THE COMBINATION SHALL BE DETERMINED BY AUTHORITIES HAVING JURISDICTION

## PARTS TABLE



## OPERATING CHARACTERISTICS

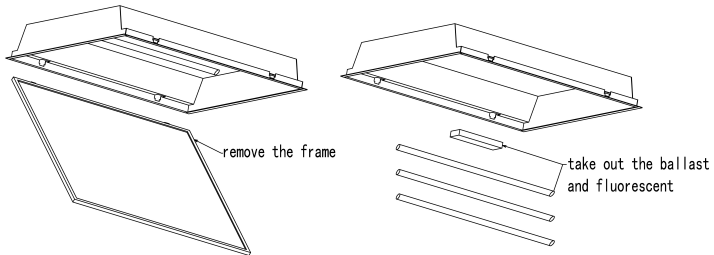
Voltage input: 120-277V AC 50/60 Hz

## INSTALLATION INSTRUCTION

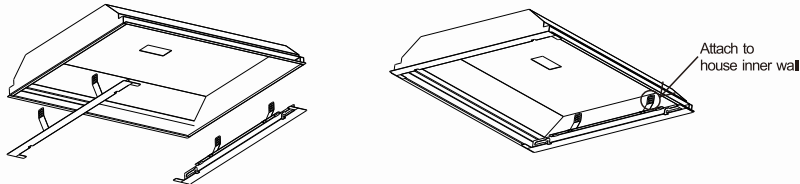
**Step 1.** Make sure the power is cut off



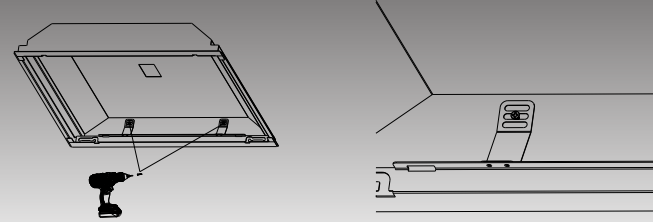
**Step 2.** Remove the frame, ballast, Ballast cover, Socket Bars and existing fluorescent from the existing fixture.



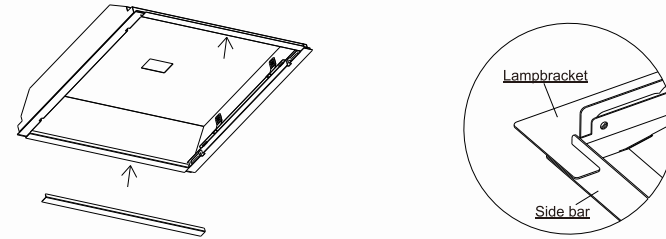
**Step 3.** Lift up the existing housing, put the two lamp brackets (short side) in between the existing housing and T-grid.



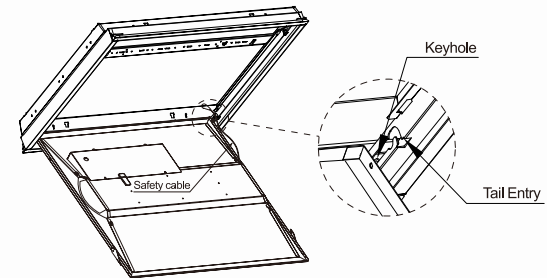
**Step 4.** Fix the Lamp Bracket on the Existing housing with Self Tapping Screws (Screw Size 4.2X16 )



**Step 5.** Put the "L" Shape Side Bar Between the Retrofit and "T" Grid, locate the Side Bar under the Lamp bracket



**Step 6.** Slide the swing door hinge of the retrofit kit into the keyholes attached at the tail entry of the lamp bracket, then push the lamp to the end slot of the brackets.



**Step 7.** Drill and install the safety cable on the existing Housing, to secure the weight balance for the whole fixture.

