

INTRINSIX



COMET
MINI

PRODUCT PROFILE

COMET MINI

LED FLOODLIGHT



Description

The IntrinsicX COMET Mini LED Floodlight is the best in its class for power efficiency when it comes to security. They are great for a range of commercial applications including Factory floor, libraries, public parks, train stations and any other outdoor areas in need of adequate lighting.

The Knuckle mount with an optional Trunnion mount the possibilities are endless.

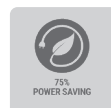
With the use of the IntrinsicX COMET Mini LED Floodlights, you get the incredible power of LED lights combined with the sturdy construction needed for outdoor lighting.

Specifications

- Voltage: 100 to 277V, 50 to 60Hz
- Operating Temp: -4°F to 113°F
- IP Rating: IP65
- Power Factor: >0.90
- DLC Listing: Premium
- Lifetime: 50,000 Hours
- Warranty: 5 Years

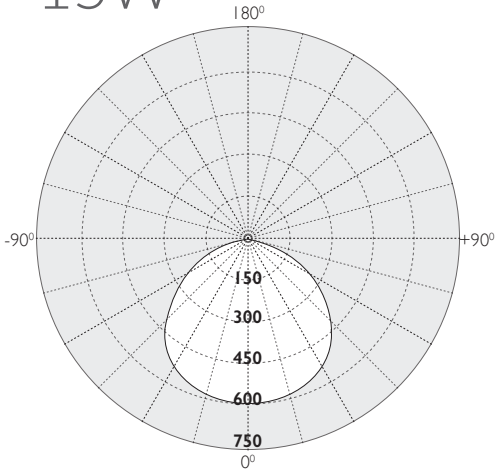
Fixture Details

Product Number	Power Watts	CCT(K) Optional	Trunnion Mount Optional	CRI Lm/W	Lumen Output (Lm)	Operating Temperature	IP Rating	DLC Product ID
DL-FL06-15W-50LO-KM	15W	5000K	DL-MFL-TM	80+	1730Lm	-4°F to 113°F	IP65	TBA
DL-FL06-30W-50LO-KM	20W	5000K	DL-MFL-TM	80+	3750Lm	-4°F to 113°F	IP65	TBA
DL-FL06-30W-30/40/50LO-KM	30W	5000K Selectable	DL-MFL-TM	80+	3750Lm	-4°F to 113°F	IP65	TBA
DL-FL06-50W-50LO-KM	50W	5000K	DL-MFL-TM	80+	6250Lm	-4°F to 113°F	IP65	TBA



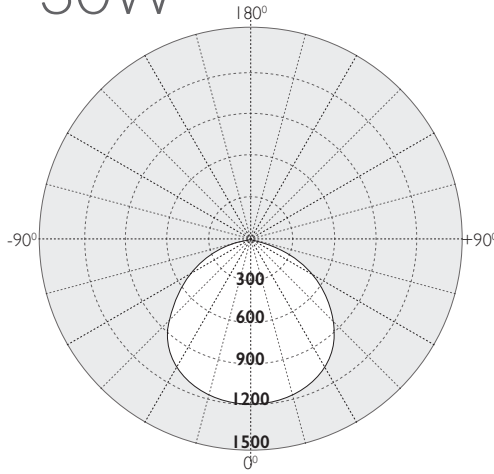
Distribution Diagram

15W



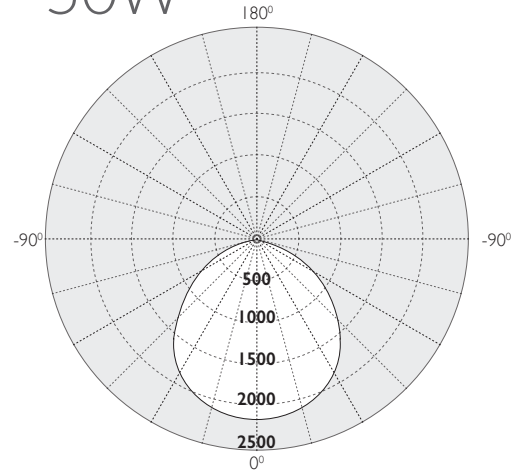
Average diffuser angle
(50%) : 109.1°

30W



Average diffuser angle
(50%) : 108.9°

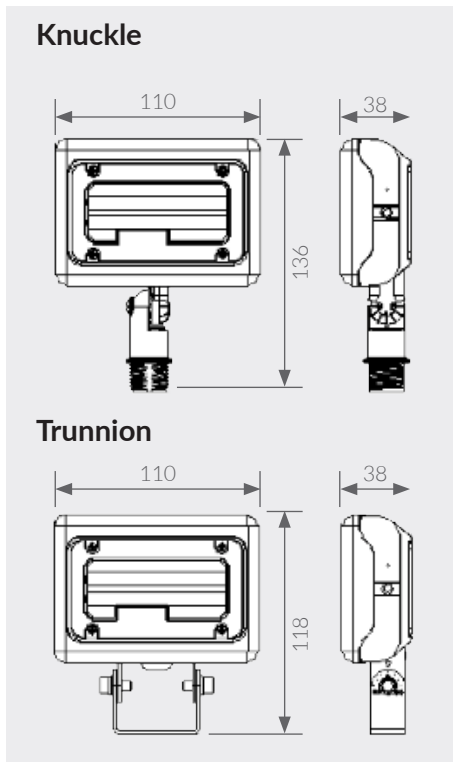
50W



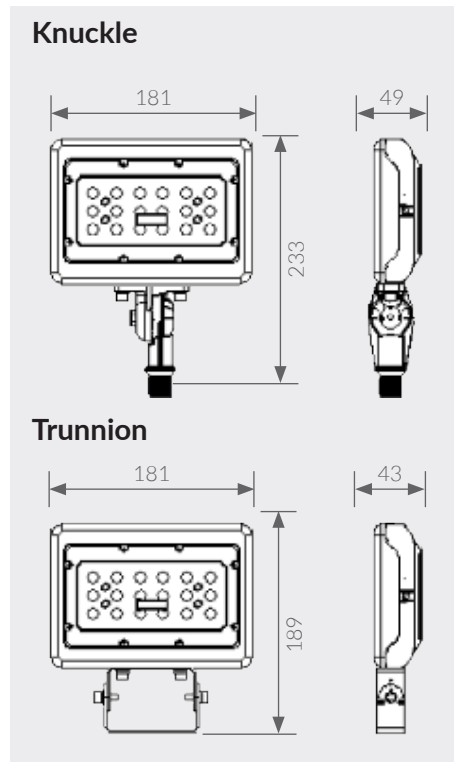
Average diffuser angle
(50%) : 108.9°

Product Dimensions

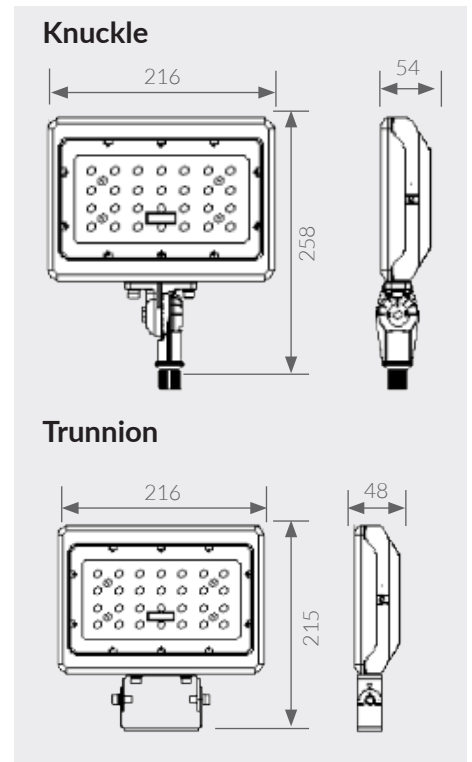
15W



30W



50W



All measurements shown in mms



As the global safety science leader, UL helps companies to demonstrate safety, enhance sustainability, strengthen security, deliver quality, manage risk, and achieve regulatory compliance. The UL mark means that the global safety certification company UL has confirmed that the product has been independently tested and is safe for use.



The Federal Communications Commission (FCC) is an independent agency of the United States government that was created to regulate all forms of telecommunication inside of the U.S. including the radio frequency (RF) of electronics. Our products are fully tested ensure that they will not electromagnetically interfere with other products nor cause risk to the public as required by law.