

INTRINSIX

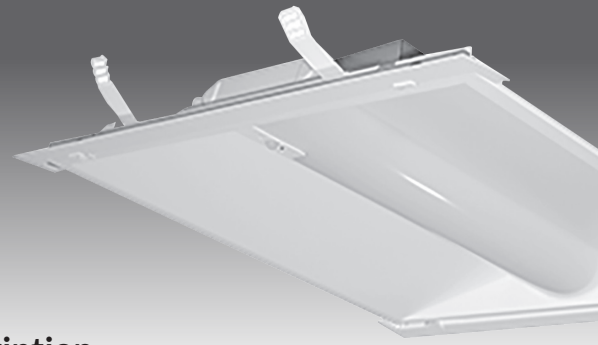


ASTRAL

PRODUCT PROFILE

ASTRAL

LED TROFFER RETROFIT



Description

With an integrated PIR Sensor, the IntrinsicX ASTRAL LED Troffer Retrofit offers options for Bluetooth mesh system or occupancy, with both having daylight harvesting.

Auto CCT changing by customized setting helps the user to be in control of the energy usage.

The IntrinsicX ASTRAL allows for easy installation using existing housing of most 2x4 or 2x2 fixtures.

With the two different integrated sensor (Bluetooth NLC or Occupancy PIR), you are saving money with an upgrade instead of changing the whole fixture.

Specifications

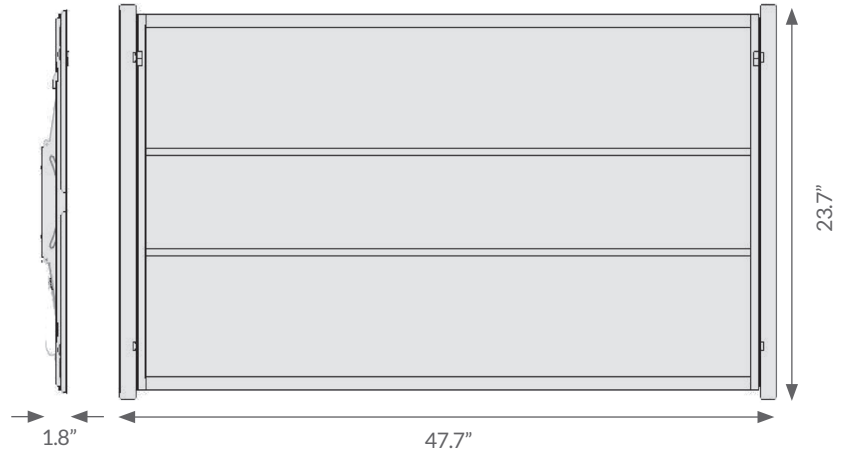
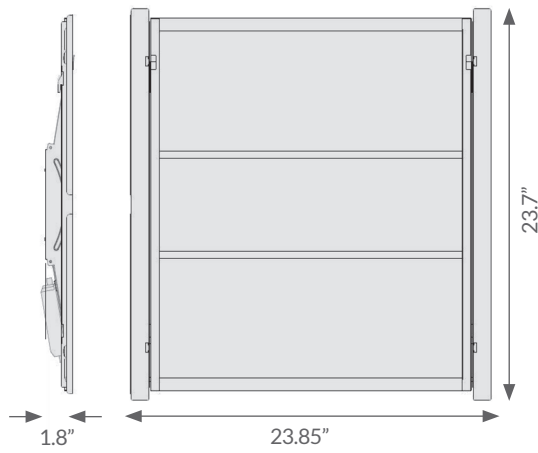
- CCT: 3500K, 4000K, 5000K
- Dimming: 0-10V
- Voltage: 120-277V
- Efficacy: 130Lm Per Watt
- Operating temp: -4°F to 122°F
- IP Rating: IP20
- Power factor: <0.90
- Lifetime: 50,000 hours
- Warranty: 5 years

Fixture Details

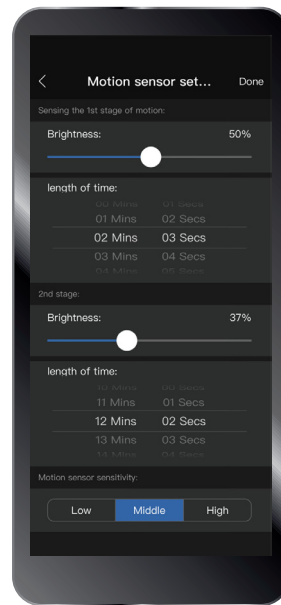
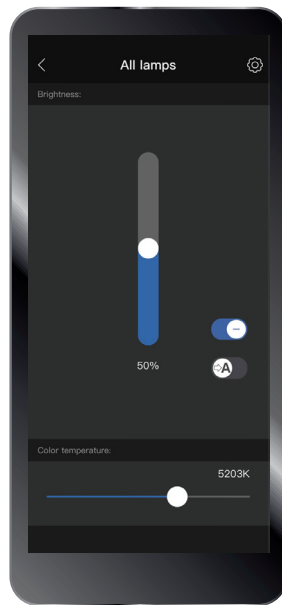
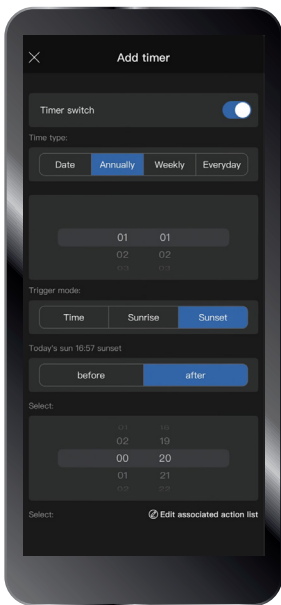
Product Number	Size	Watts (Selectable)	CCT(K) (Selectable)	CRI	Efficacy Lm (W)	Lumen Output Temperature (lm)	Operating Temperature	IP	Bluetooth Mesh Capable	DLC Product ID
IX-TRS-NLC-22-24/36-35/40/50LO	2' x 2'	24/36	3500/4000/5000	>83	130	3120/4680	-4°F to 122°F	IP20	Yes	S-BYJAUS
IX-TRS-NLC-24-36/42/50-35/40/50LO	2' x 4'	36/42/50	3500/4000/5000	>83	130	4680/5460/6500	-4°F to 122°F	IP20	Yes	S-G75PBL
IX-TRS-PIR-22-24/36-35/40/50LO	2' x 2'	24/36	3500/4000/5000	>83	130	3120/4680	-4°F to 122°F	IP20	No	S-E7LJMP
IX-TRS-PIR-24-36/42/50-35/40/50LO	2' x 4'	36/42/50	3500/4000/5000	>83	130	4680/5460/6500	-4°F to 122°F	IP20	No	S-X8PG9R






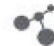








Product Dimensions



Smartphone App



-  Dimming & CCT tunable
-  Timer
-  Sensor Control
-  Single Light Control
-  Scene Control
-  Group Control
-  Zone Control
-  Clock Function
-  Electricity Stats
-  Visualized Commissioning
-  Emergency Lamp Test
-  Independent Smart Sensor

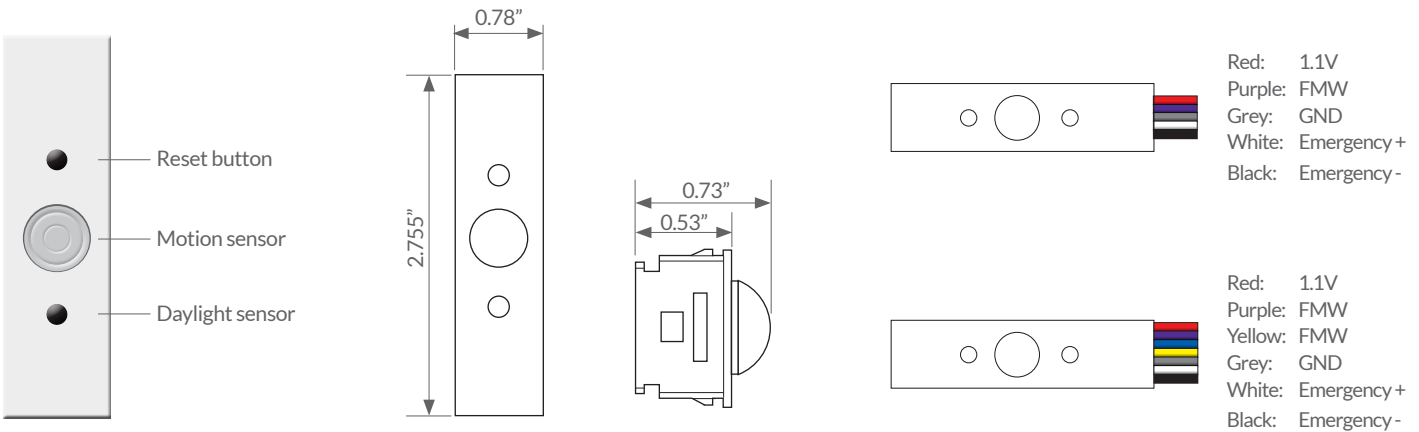
Sensor Control

Key features

- High sensitivity PIR motion sensor
- Constant illumination sensor
- 2-Ch PWM (3.3V) dimming signal output brightness/CCT dimmable
- Relay signal output - for relay control to turn on/off lights or circuit
- DC 3.3 V power supply
- Optimized dimming algorithm - self-study auto calibration
- Multiple driver adaption
- With housing reference design - to better adapt to various fixtures

Specifications

Model	107-006511-ch/107-0064 (2-ch)
Description	Strip BlueTooth / Smart Module / Daylight sensor with Motion sensor
Input voltage	3.3V
Operating current	1-ch 25mAMAX/2-ch 33mAMAX
Output	1-ch PWM (3.3V) Dimming 2-ch PWM(3.3V) Dimming and CCT tunable
Communication protocol	Bluetooth Mesh
Communication frequency	2405-2480MHz
Photosensitive range	10-1000Lux
Working temperature	-17.3°F to 348.8°F
Barrier-free communication distance	100M
PIR sensing range	φ 8 M @ H8 M / 360°



The ETL Listed mark is an indicator of the product's compliance with safety regulations, recognized and accepted by the UL and CSA marks. As Intertek's ETL subjects' products to UL standards for safety, products marked as ETL Listed meet the same ridged criteria as marked with UL Lister or UL Recognized. Intertek ETL is a Nationally Recognized Testing Laboratory (NRTL) recognized by the Occupational Safety and Health Administration (OSHA).



The Federal Communications Commission (FCC) is an independent agency of the United States government that was created to regulate all forms of telecommunication inside of the U.S. including the radio frequency (RF) of electronics. Our products are fully tested ensure that they will not electromagnetically interfere with other products nor cause risk to the public as required by law.